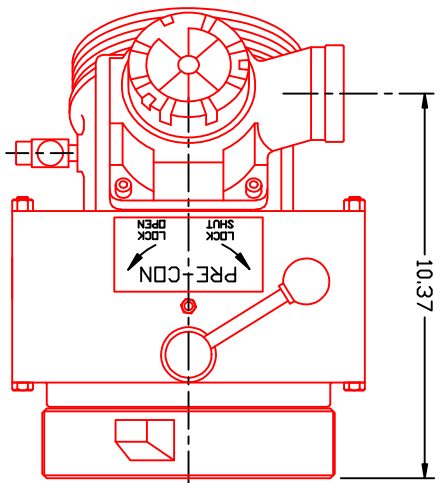
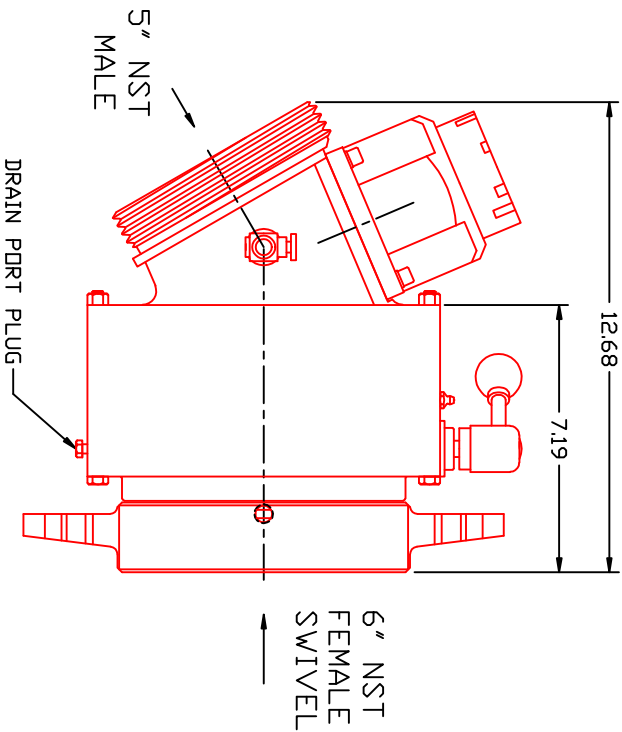
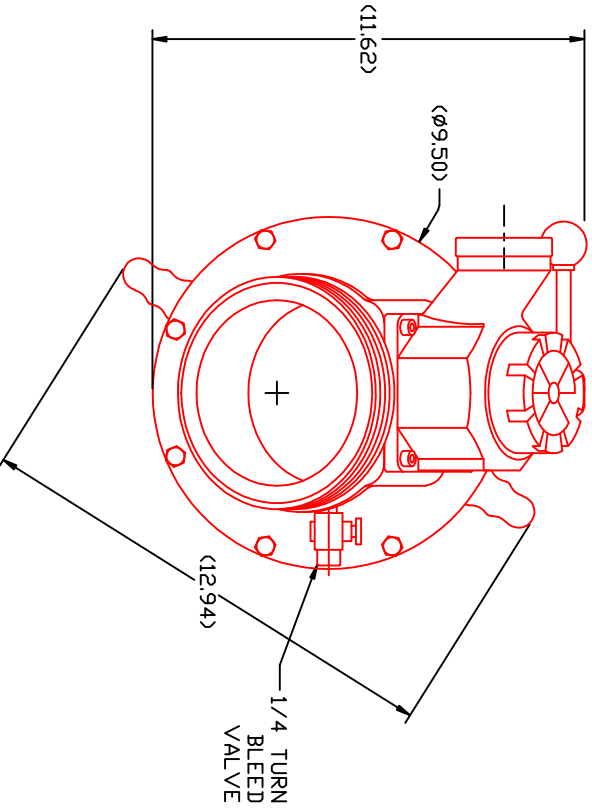



THE INFORMATION DISCLOSED HEREIN IS THE EXCLUSIVE PROPERTY OF HYDRA-SHIELD AND IS NOT TO BE REPRODUCED AND MUST BE TREATED AS CONFIDENTIAL MATERIAL.

NOTES: 1) AUTOMATIC SUCTION VALVE ACTIVATED BY WATER PRESSURE, PRIMER VACUUM, OR MANUAL CONTROL HANDLE.  
 2) MATERIAL: HIGH STRENGTH, LIGHTWEIGHT ALLOY WITH CORROSION RESISTANT COATING.



TOLERANCES-UNLESS OTHERWISE NOTED	
ANGULAR ±1°	
FRACTION ±1/16"	
XX ±0.30	
XXX ±0.10	
MACHINE FINISH 125	
ALL DIA. <input checked="" type="checkbox"/> ASME B	
REMOVE ALL BURRS	
CORNERS .06x45°	
FILLETS R.06	

REV.	0	LAST CHANGE DATE	9/10/13	DATE		CHK'D		DRWN	JPM
		DESCRIPTION							



**HYDRA-SHIELD, INC.**  
2000 West Valley Road, Fresno, CA 93720

**PRE-CON 30 AUTO. SUCTION VALVE ASSEMBLY**

SIZE	SCALE	SHEET NO.	REV. NO.	REF. NO.
	NONE			PC30-6.0FS-5.0M