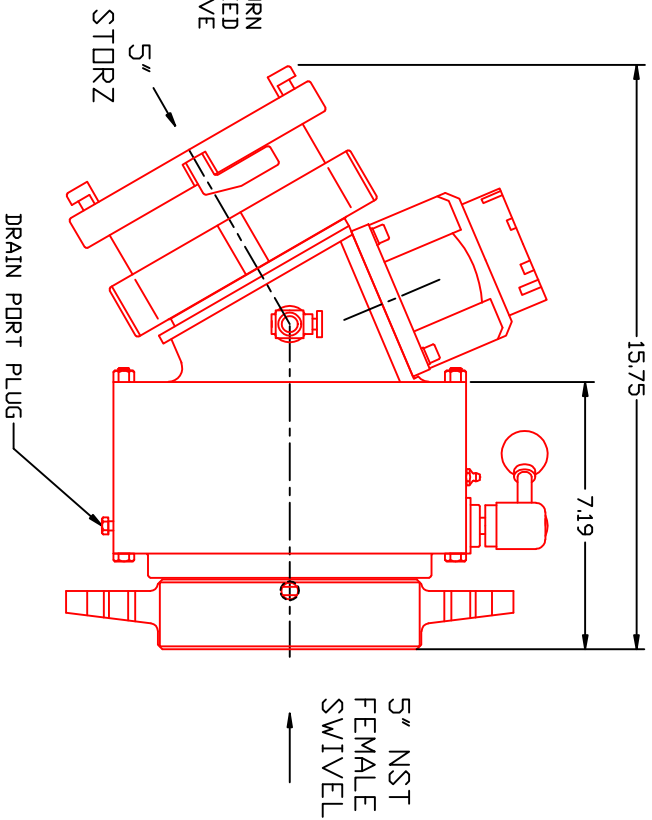
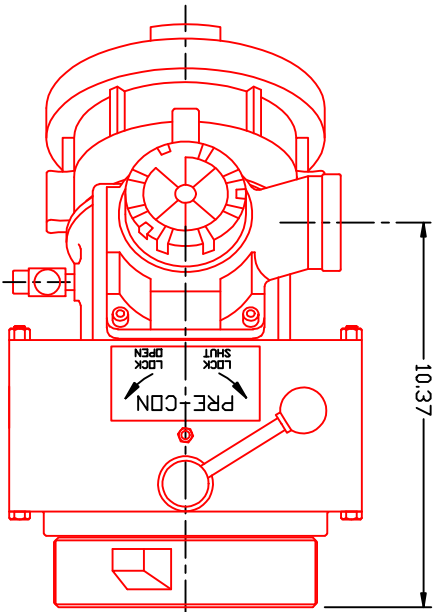
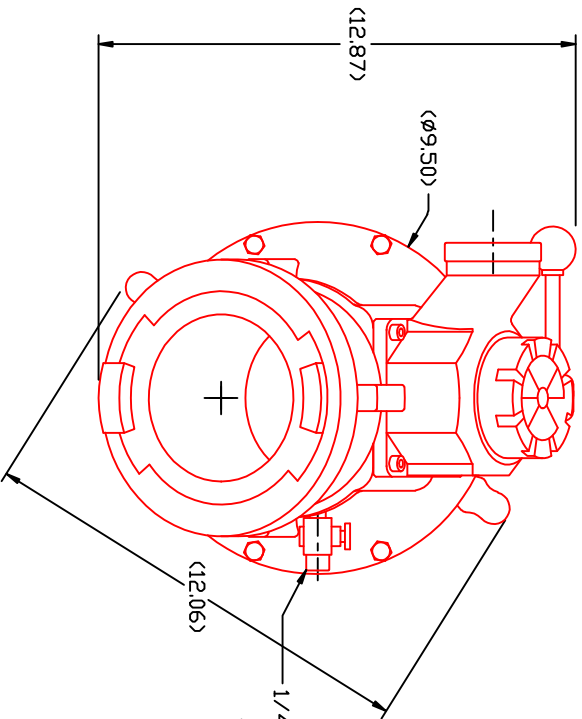


THE INFORMATION DISCLOSED HEREIN IS THE EXCLUSIVE PROPERTY OF HYDRA-SHIELD AND IS NOT TO BE REPRODUCED AND MUST BE TREATED AS CONFIDENTIAL MATERIAL.

NOTES: 1) AUTOMATIC SUCTION VALVE ACTIVATED BY WATER PRESSURE, PRIMER VACUUM, OR MANUAL CONTROL HANDLE;
2) MATERIAL: HIGH STRENGTH, LIGHTWEIGHT ALLOY WITH CORROSION RESISTANT COATING.



TOLERANCES-UNLESS OTHERWISE NOTED	ANGULAR ±1°
FRACTION ±1/16"	XX ±0.30
XXX ±0.01	
MACHINE FINISH 125	
ALL DIA. <input checked="" type="checkbox"/> ASME B	
REMOVE ALL BURRS	
CORNERS .06x45°	
FILLETS R06	

REV.	0	LAST CHANGE DATE 9/10/13	DATE	CHK'D	DRWN
DESCRIPTION					JPM



HYDRA-SHIELD, INC.
2000 West Valley Road, Fresno, CA 93720

PRE-CON 30 AUTO. SUCTION VALVE ASSEMBLY

SIZE: N/D
SCALE: N/D
SHEET NO.: N/D
REV. NO.: N/D
REF. NO.: PC30-5.0FS-5.0ST