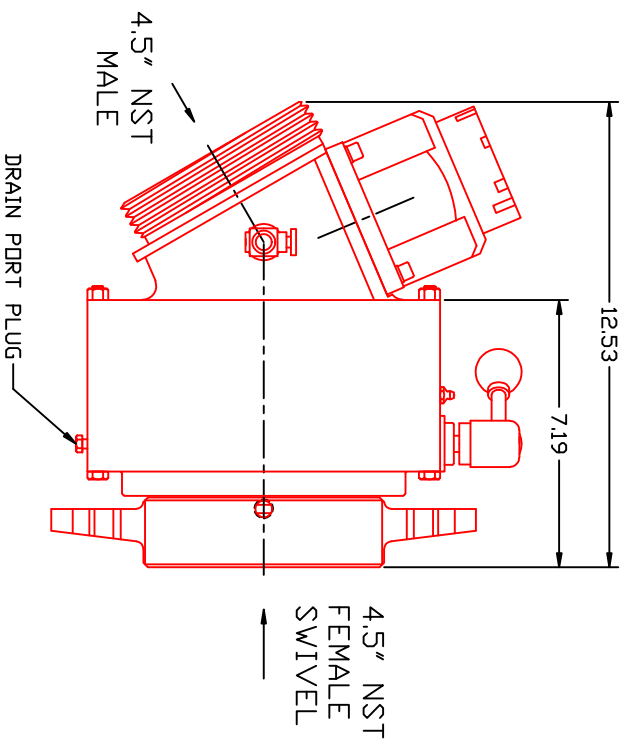
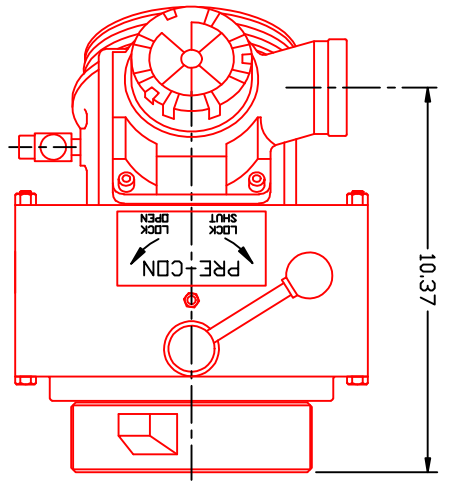
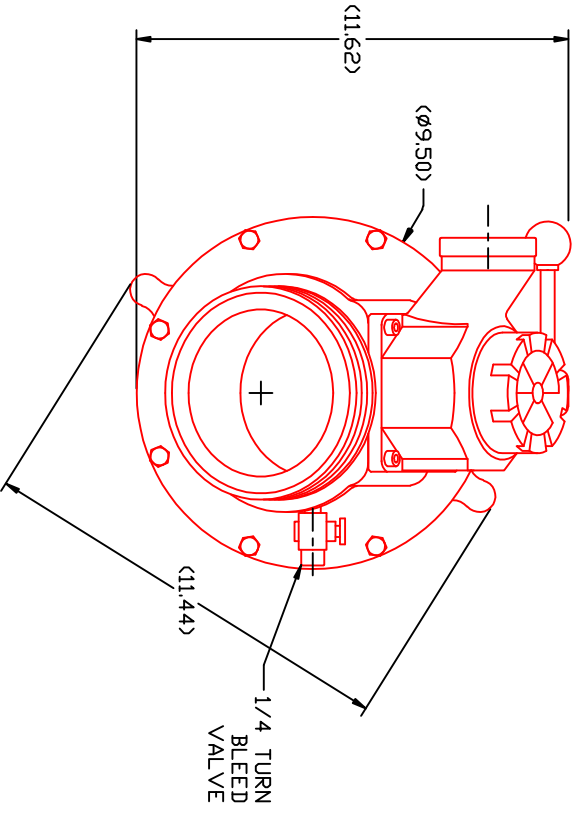



THE INFORMATION DISCLOSED HEREIN IS THE EXCLUSIVE PROPERTY OF HYDRA-SHIELD AND IS NOT TO BE REPRODUCED AND MUST BE TREATED AS CONFIDENTIAL MATERIAL.

NOTES: 1) AUTOMATIC SUCTION VALVE ACTIVATED BY WATER PRESSURE, PRIMER VACUUM, OR MANUAL CONTROL HANDLE.
 2) MATERIAL: HIGH STRENGTH, LIGHTWEIGHT ALLOY WITH CORROSION RESISTANT COATING.



TOLERANCES-UNLESS OTHERWISE NOTED	
ANGULAR ±1°	
FRACTION ±1/16"	
XX ±0.30	
XXX ±0.10	
MACHINE FINISH 125	
ALL DIA. $\sqrt{0.0515}$	
REMOVE ALL BURS	
CORNERS 0.6x45°	
FILLETS R06	

REV.	0	LAST CHANGE DATE	9/10/13	DATE		CHK'D	JPM	DRWN	
		DESCRIPTION							



HYDRA-SHIELD, INC.
2000 West Valley Road, Fresno, CA 93720

PRE-CON 30 AUTO. SUCTION VALVE ASSEMBLY

SIZE: NONE
 SCALE: NONE
 SHEET NO. REV. NO. REF. NO.
 PC30-4.5FS-4.5M