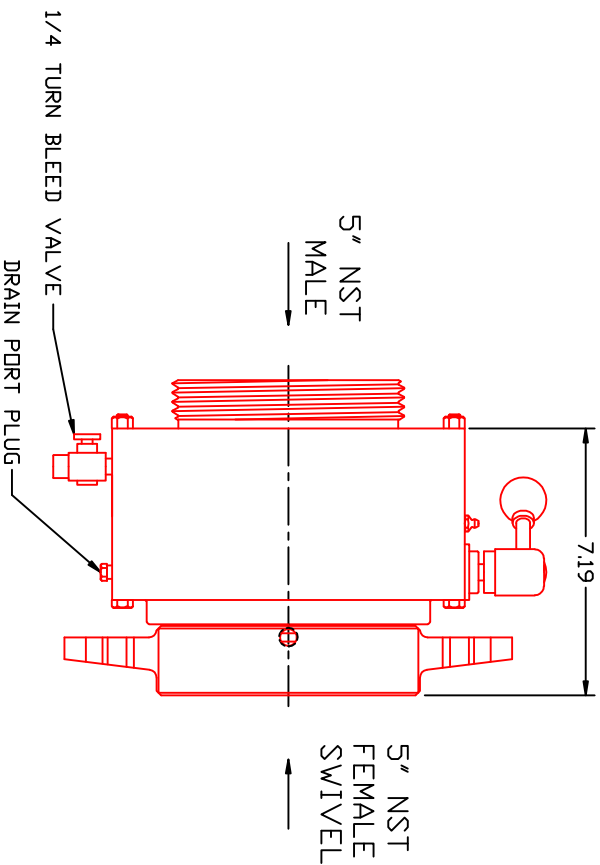
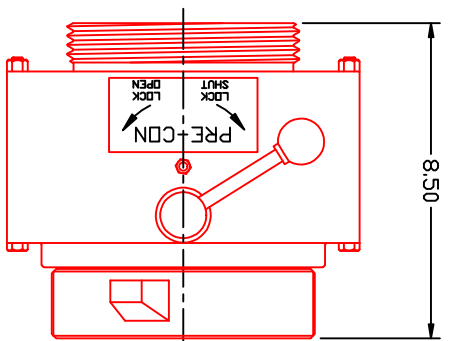
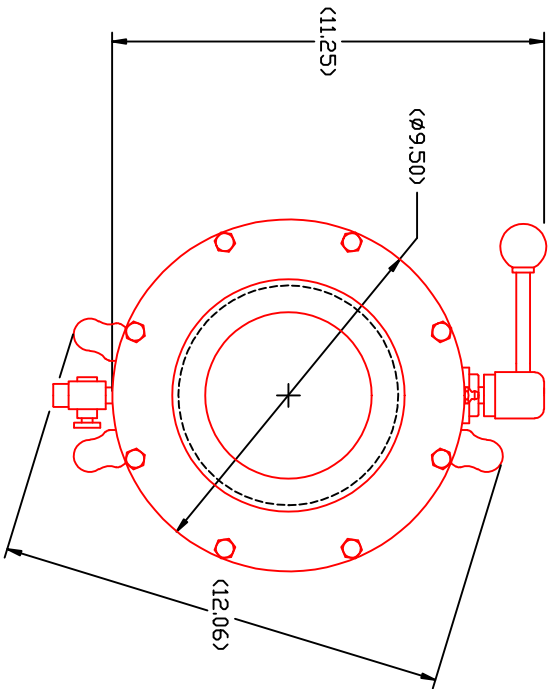


THE INFORMATION DISCLOSED HEREIN IS THE EXCLUSIVE PROPERTY OF HYDRA-SHIELD AND IS NOT TO BE REPRODUCED AND MUST BE TREATED AS CONFIDENTIAL MATERIAL.

NOTES: 1) AUTOMATIC SUCTION VALVE ACTIVATED BY WATER PRESSURE, PRIMER VACUUM, OR MANUAL CONTROL HANDLE.
 2) MATERIAL: HIGH STRENGTH, LIGHTWEIGHT ALLOY WITH CORROSION RESISTANT COATING.



| | |
|-----------------------------------|--|
| TOLERANCES-UNLESS OTHERWISE NOTED | |
| ANGULAR ±1° | |
| FRACTION ±1/16" | |
| .XX ±0.30 | |
| .XXX ±0.10 | |
| MACHINE FINISH 125 | |
| ALL DIA. $\sqrt{.051E}$ | |
| REMOVE ALL BURS | |
| CORNERS .06x45° | |
| FILLETS R06 | |

| REV. | DESCRIPTION | DATE | CHK'D | DRWN |
|------|-------------|---------|-------|------|
| 0 | LAST CHANGE | 9/12/13 | | JPM |



PRE-CON 3 AUTO. SUCTION VALVE ASSEMBLY

| | | | | |
|------|-------|-----------|----------|----------------|
| SIZE | SCALE | SHEET NO. | REV. NO. | REF. NO. |
| | NONE | | | PC3-5.0FS-5.0M |