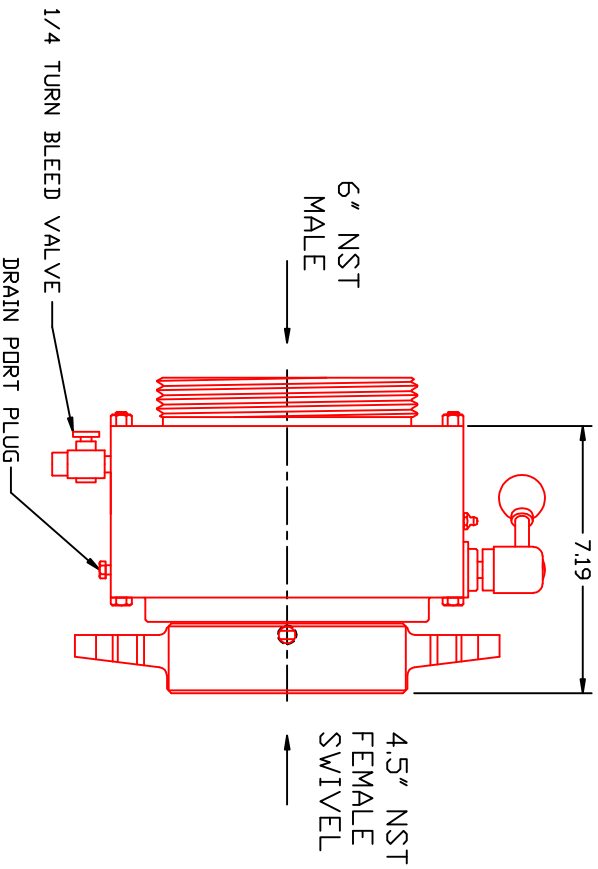
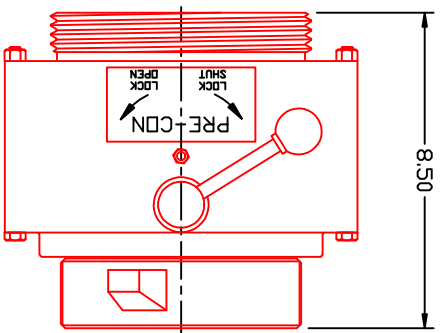
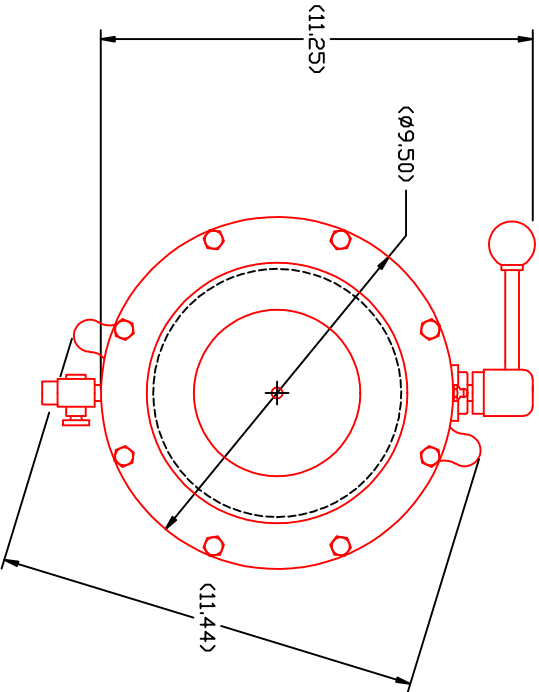


THE INFORMATION DISCLOSED HEREIN IS THE EXCLUSIVE PROPERTY OF HYDRA-SHIELD AND IS NOT TO BE REPRODUCED AND MUST BE TREATED AS CONFIDENTIAL MATERIAL.

NOTES: 1) AUTOMATIC SUCTION VALVE ACTIVATED BY WATER PRESSURE, PRIMER VACUUM, OR MANUAL CONTROL HANDLE;  
2) MATERIAL: HIGH STRENGTH, LIGHTWEIGHT ALLOY WITH CORROSION RESISTANT COATING.



TOLERANCES-UNLESS OTHERWISE NOTED	ANGULAR ±1°
FRACTION 1/16"	XX ±0.30
	XXX ±0.00
MACHINE FINISH 125	
ALL DIA. $\sqrt{.051E}$	
REMOVE ALL BURS	
CORNERS .06x45°	
FILLETS R.06	

REV.	DESCRIPTION	DATE	CHK'D	DRWN
0	LAST CHANGE	9/12/13		JPM



**HYDRA-SHIELD, INC.**  
2000 West Valley Road, Fresno, CA 93720

PRE-CON 3 AUTO. SUCTION VALVE ASSEMBLY

SIZE: NONE  
SCALE: NONE  
SHEET NO. REV. NO. REF. NO.  
PC3-4.5FSS-6.0M