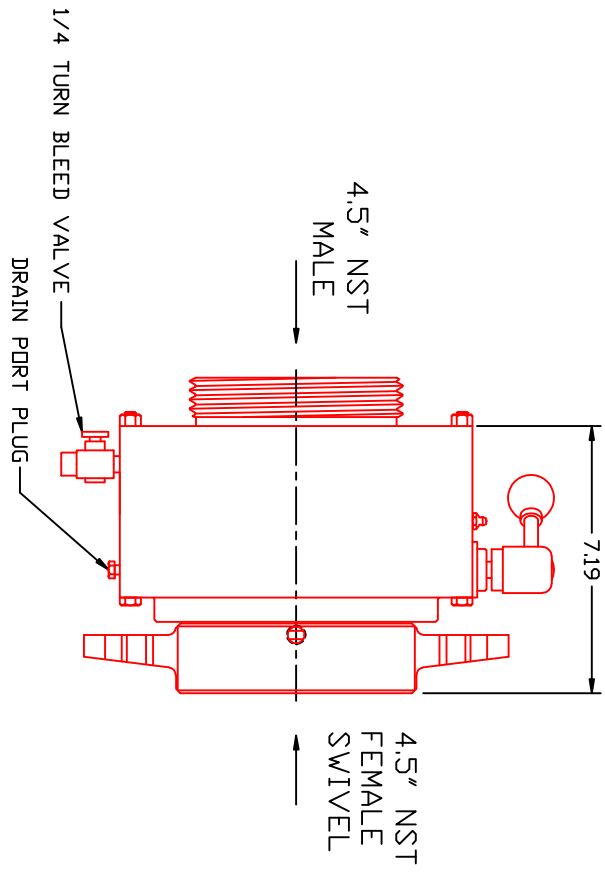
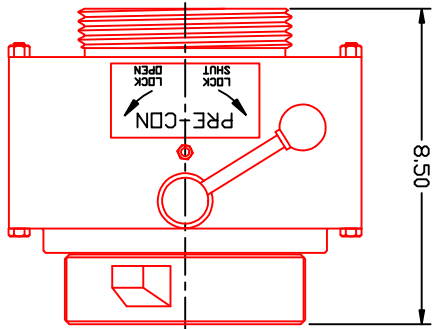
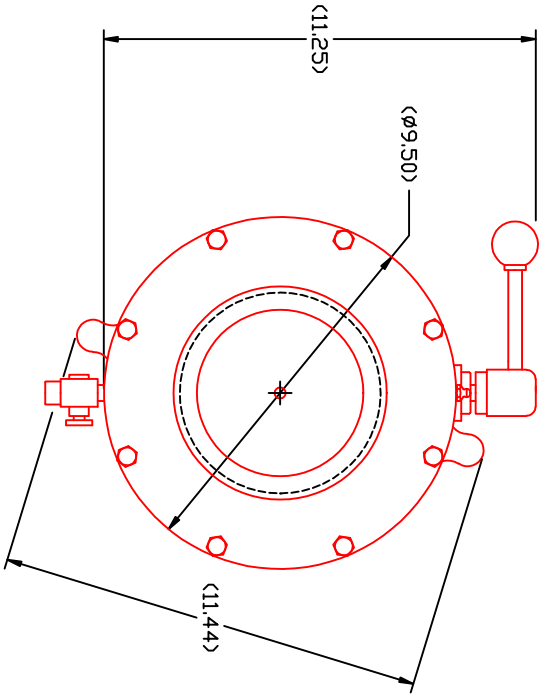


THE INFORMATION DISCLOSED HEREIN IS THE EXCLUSIVE PROPERTY OF HYDRA-SHIELD AND IS NOT TO BE REPRODUCED AND MUST BE TREATED AS CONFIDENTIAL MATERIAL.

- NOTES: 1) AUTOMATIC SUCTION VALVE ACTIVATED BY WATER PRESSURE, PRIMER VACUUM, OR MANUAL CONTROL HANDLE.
 2) MATERIAL: HIGH STRENGTH, LIGHTWEIGHT ALLOY WITH CORROSION RESISTANT COATING.



TOLERANCES-UNLESS OTHERWISE NOTED	
ANGULAR ±1°	
FRACTION ±1/16"	
XX ±.030	
XXX ±.010	
MACHINE FINISH 125	
ALL DIA. $\sqrt{.051E}$	
REMOVE ALL BURRS	
CORNERS .06x45°	
FILLETS R.06	

REV.	0	LAST CHANGE DATE	9/12/13	DATE		CHK'D	JPM	DRWN	
DESCRIPTION									



PRE-CON 3 AUTO. SUCTION VALVE ASSEMBLY

SIZE	SCALE	SHEET NO.	REV. NO.	REF. NO.
	NONE			PC3-4.5FS-4.5M